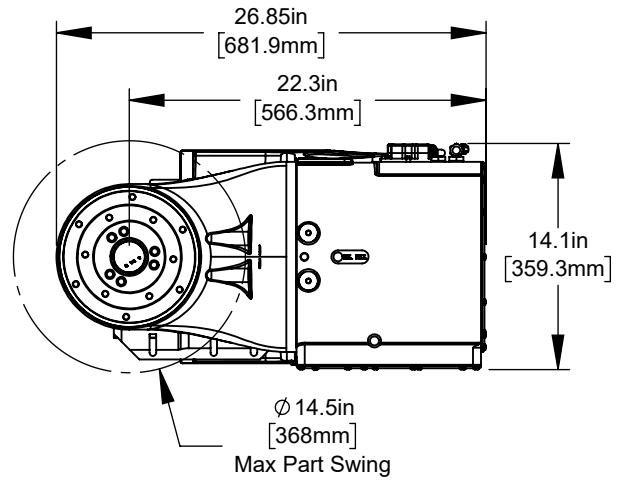
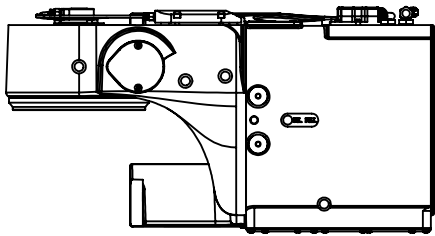


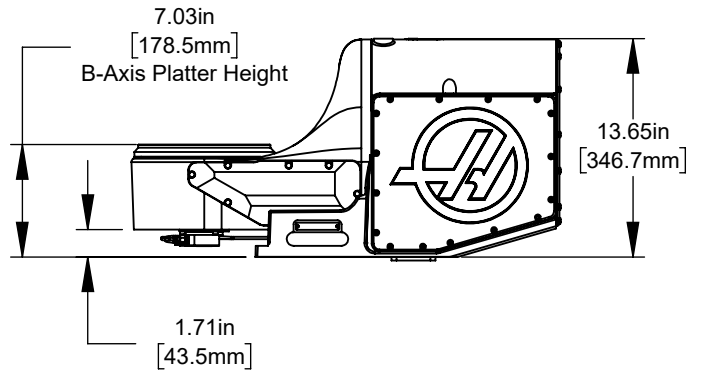
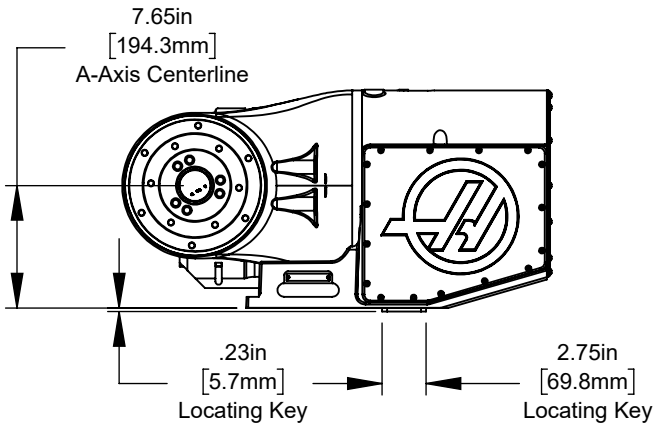
Top View

Top View
Platter Rotated 90° to Base



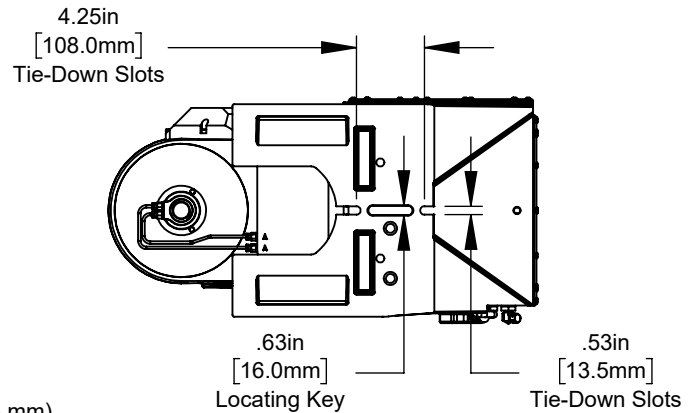
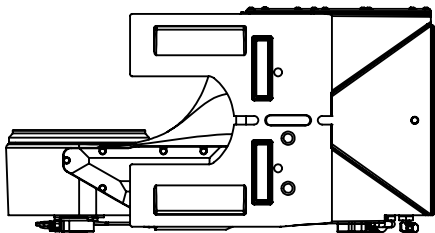
Front View
Platter Rotated 90° to Base

Front View

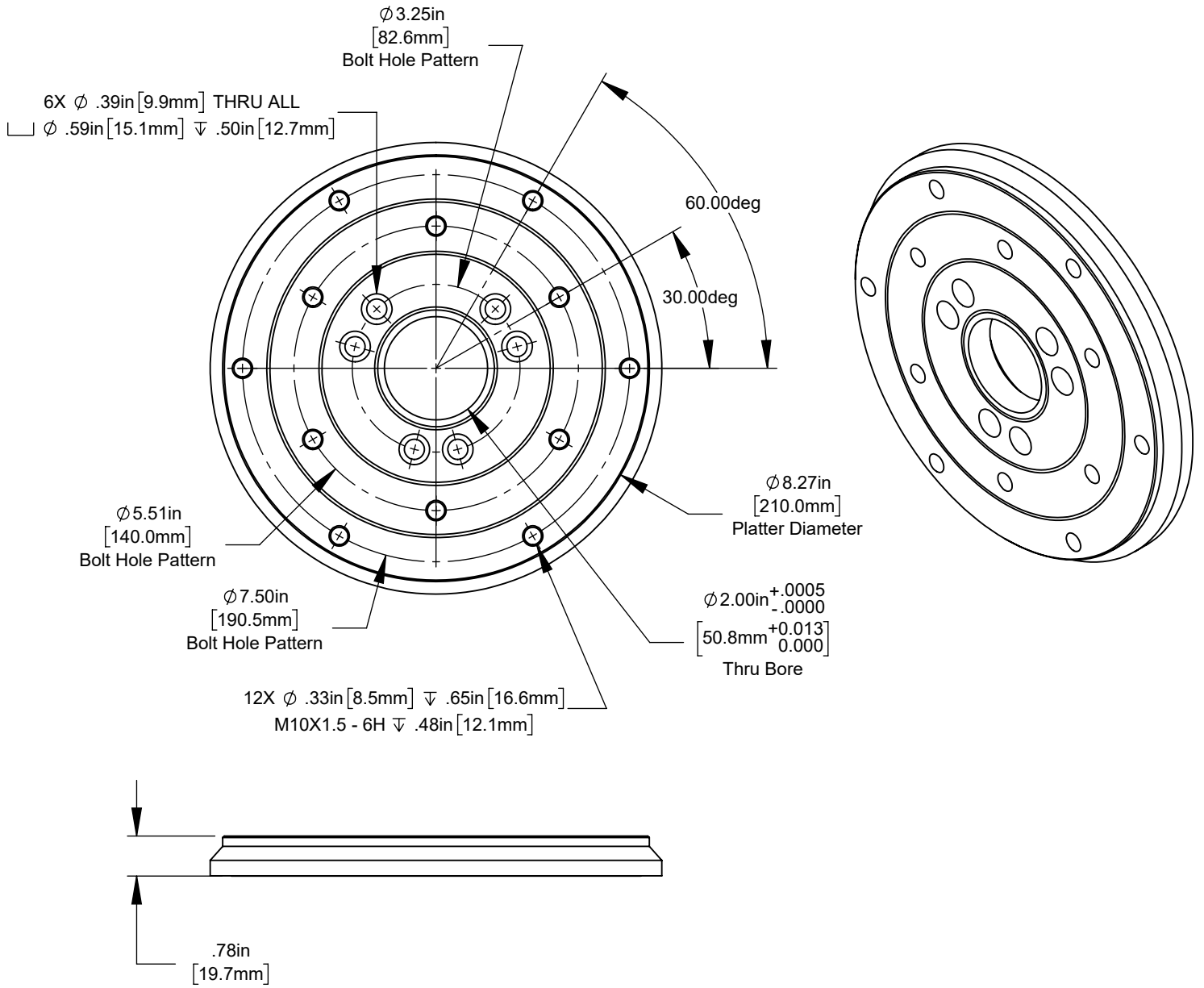


Bottom View
Platter Rotated 90° to Base

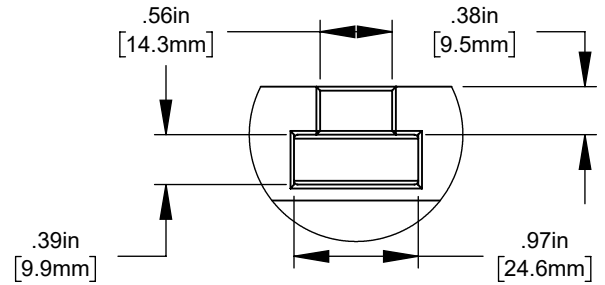
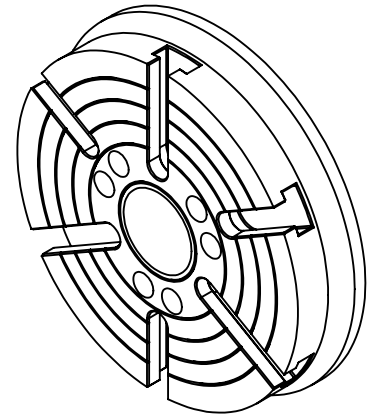
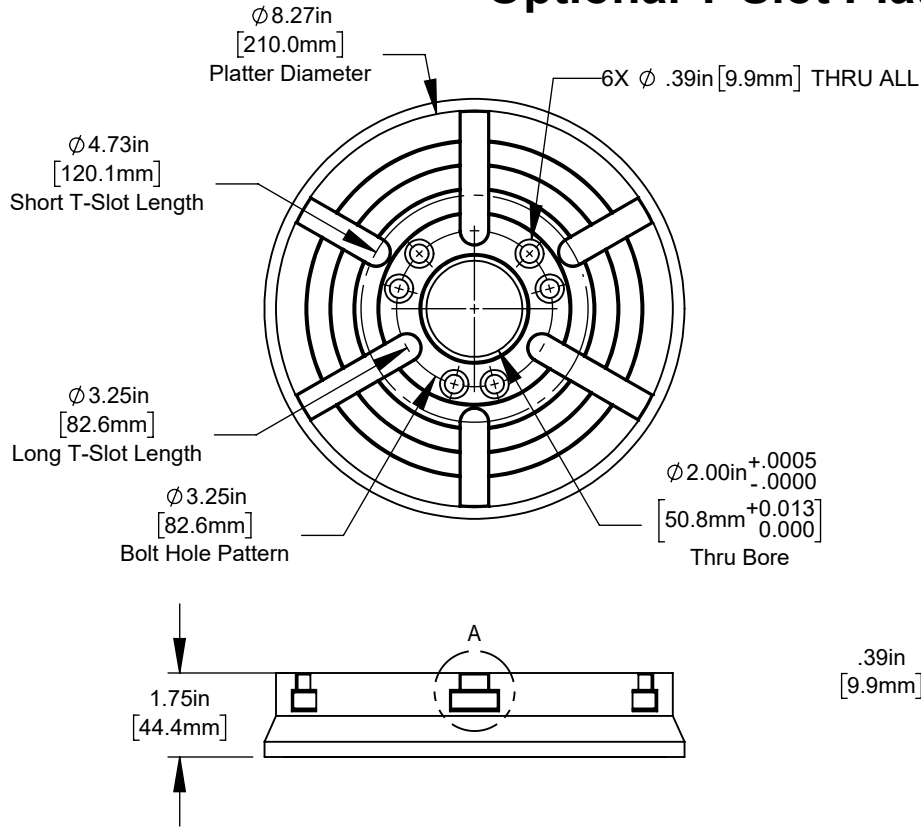
Bottom View



All dimensions based on stackup of sheetmetal, subject to variation of 1/2" (13 mm)



Optional T-Slot Platter



DETAIL A
SCALE 1 : 1.5

Optional 230mm Platter

